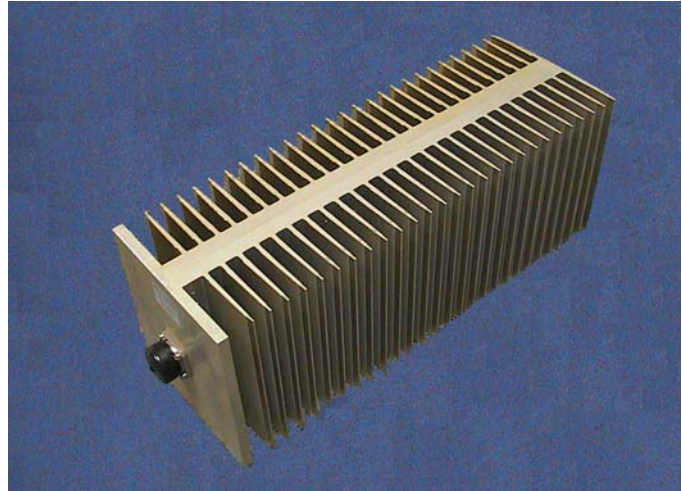
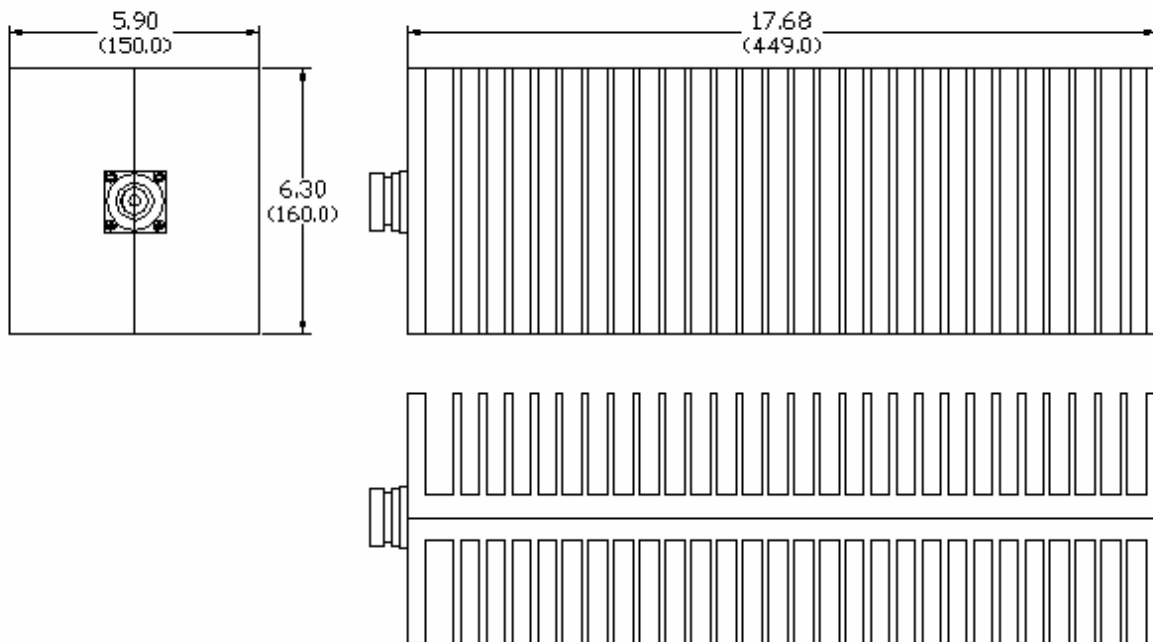


Electrical Specifications:

- Frequency Range: DC~500MHz
- VSWR: 1.2:1 maximum
- Average Power: 1000 Watts
- Peak Power: 30 kWatts, 500µS duration
- Connector: DIN 7/16 Female, 50 ohm
- Size: 17.68×5.90×6.30 inch
- Weight: ~10.5 kg (23 lb)
- Cooling: Natural Air



Mechanical Drawing:



Note: All units in inches (mm).