

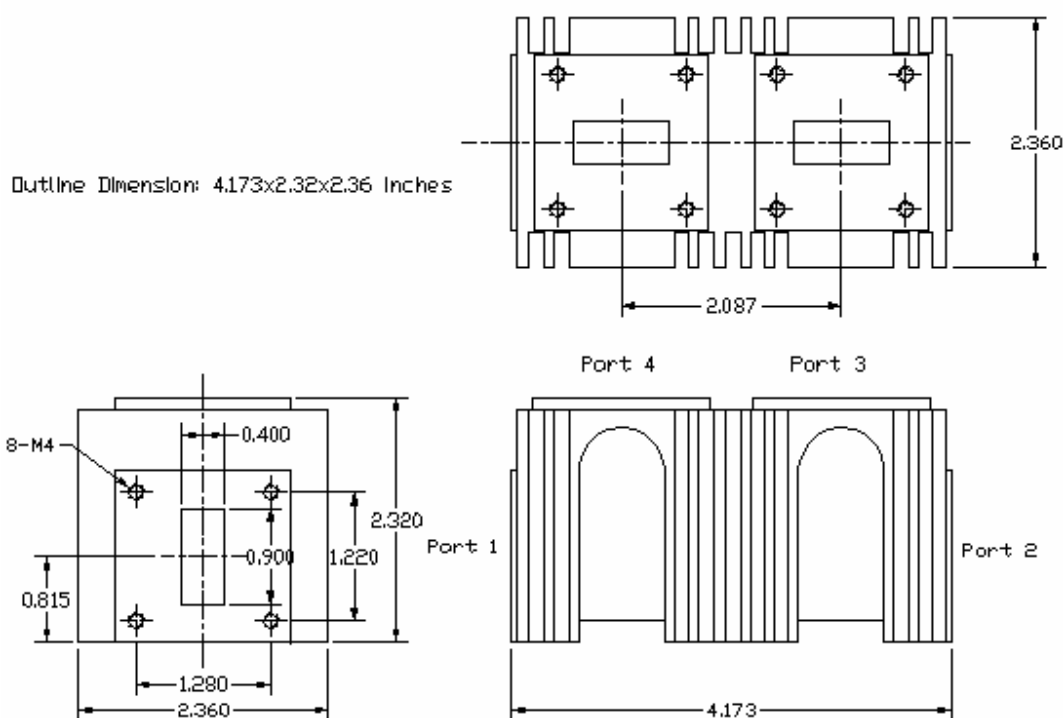
Key Features:

- Frequency range: 8.5~10.5GHz, bandwidth 1GHz
- WR-90 waveguide
- Power handling >250Watts CW, 20kW pulse
- Customer can specify center frequency and bandwidth

Electrical Specifications

Part No.	Freq Range HHz	Insertion Loss, dB	Reverse Isolation, dB	VSW R	CW Power, Watts	Pulse Power, kWatts	Temp. Range, °C
F3945-0900-11	8.50~9.50	0.4/0.8 Max	≥ 20/40	≤1.2	≥ 250	≥ 20	-30 ~ +60
F3945-0965-05	9.40~9.90	0.4/0.8 Max	≥ 20/40	≤1.2	≥ 250	≥ 20	-30 ~ +60
F3945-1000-10	9.50~10.50	0.4/0.8 Max	≥ 20/40	≤1.2	≥ 250	≥ 20	-30 ~ +60

Mechanical Structure:



All units in inches

Ordering Information:

