

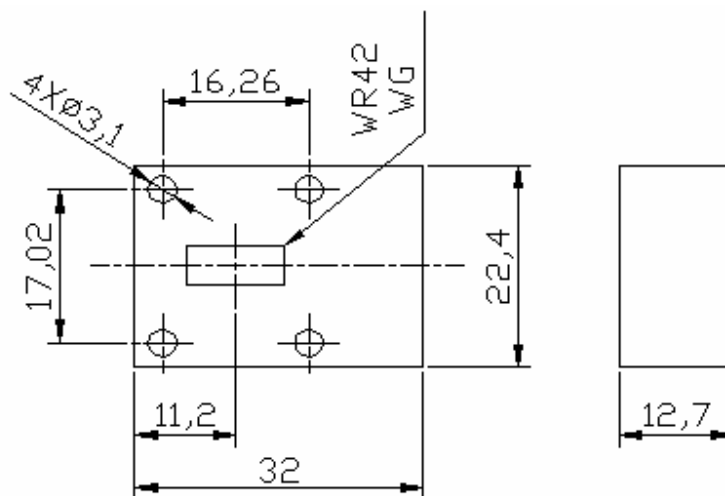
Key Features:

- Center Frequency range: 17.7~26.5GHz, bandwidth up to 2.4GHz
- WR-42 waveguide, compact size
- Power handling >10Watts CW
- Customer specify center frequency and bandwidth

Electrical Specifications

Part No.	Freq Range GHz	Insertion Loss, dB	Reverse Isolation, dB	VSWR	CW Power, Watts	Temp. Range, °C
F3296-1870-11	17.7~19.7	0.50 Max	≥ 20	≤1.25	≥ 10	-20 ~ +70
F3296-1900-11	18.0~20.0	0.50 Max	≥ 20	≤1.25	≥ 10	-20 ~ +70
F3296-2240-11	21.2~23.6	0.50 Max	≥ 20	≤1.25	≥ 10	-20 ~ +70
F3296-2550-08	24.5~26.5	0.50 Max	≥ 20	≤1.25	≥ 10	-20 ~ +70

Mechanical Structure:



All units in mm

Ordering Information:

F3296-XXXX-XX
 ↓ ↓
 Frequency XX.XX GHz, Bandwidth, XX%,